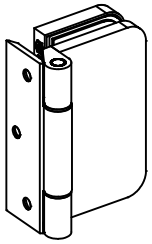


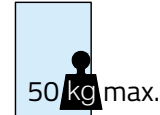
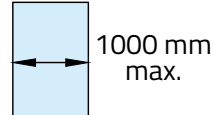
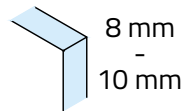
Technische Daten:
Türscharnier - 2241

Datasheet:
Door hinge - 2241

Art. 45.2241.000.20
Art. 45.2241.000.26
Art. 45.2241.000.46



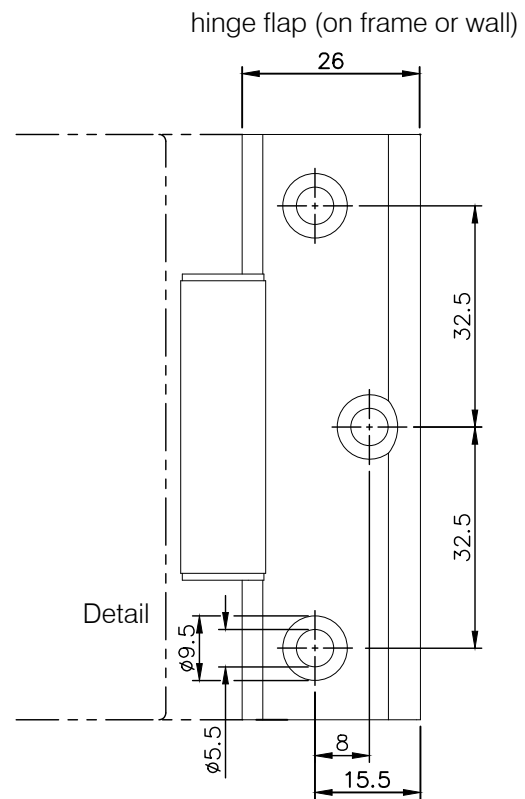
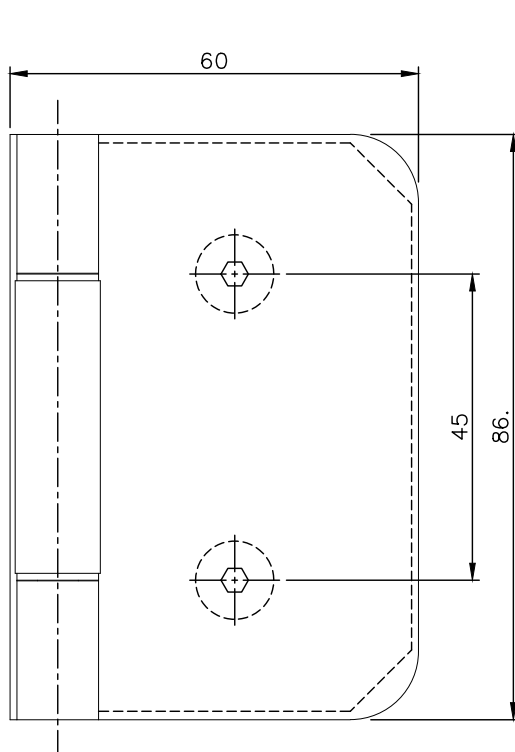
Ausführung:
Options:



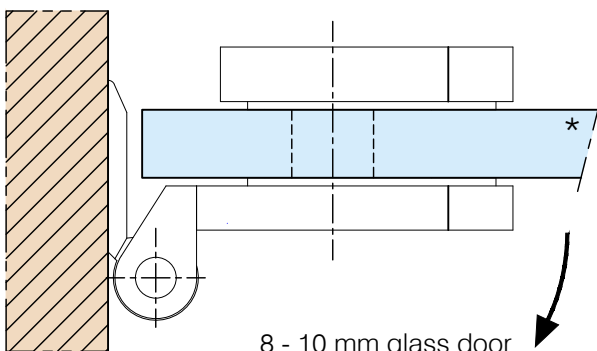
Material: V2A
Material: Stainless steel AISI 304

Gewicht: / Weight: 0,225 kg

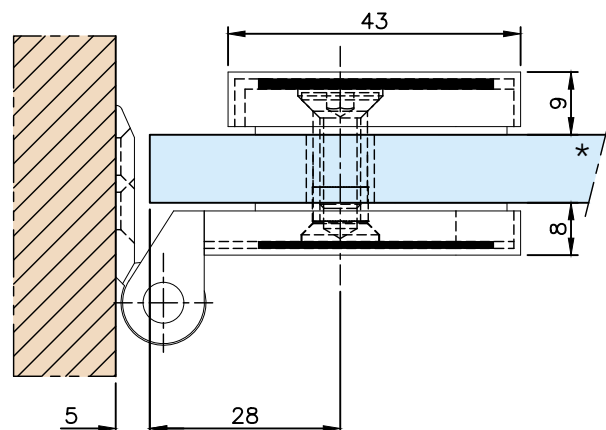
Oberflächen: Finish:	Edelstahl-Design Stainless steel design	Anthrazit-Design Anthracite design	Silber matt eloxiert silver matt anodized
-------------------------	--	---------------------------------------	--



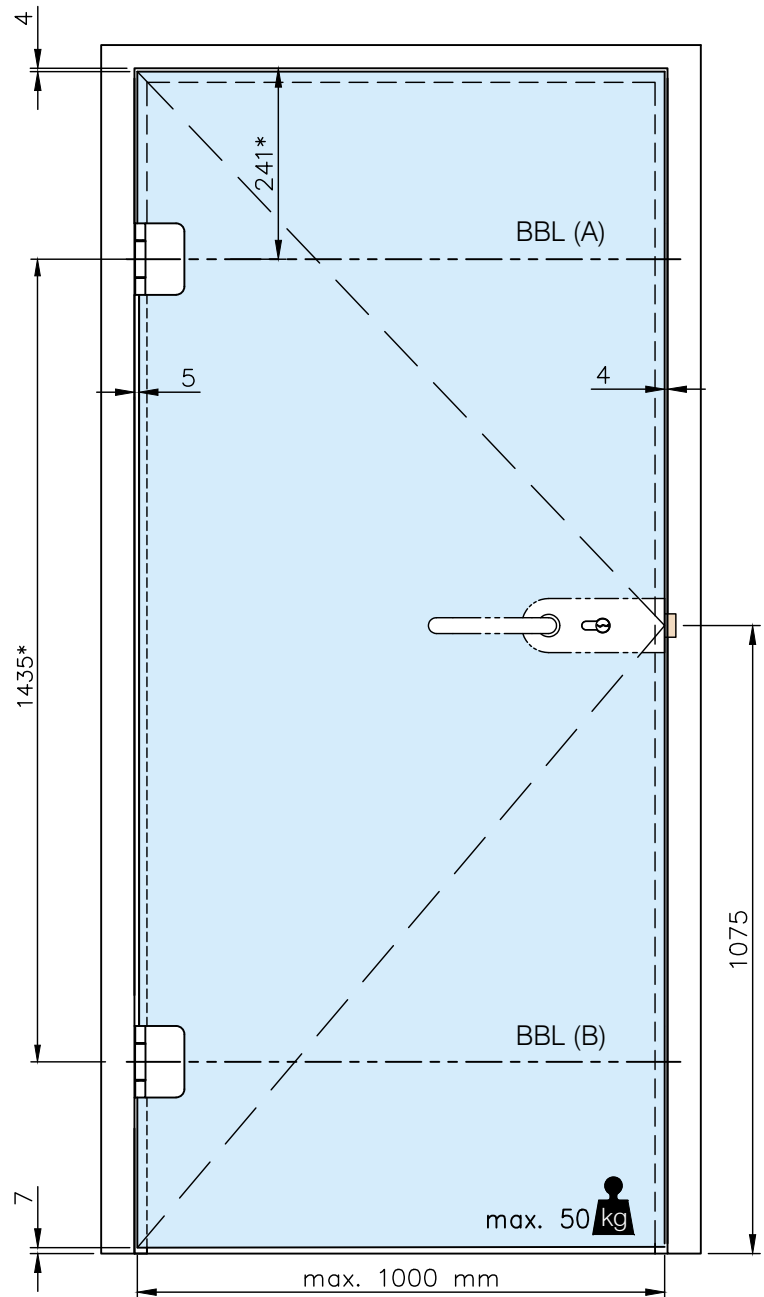
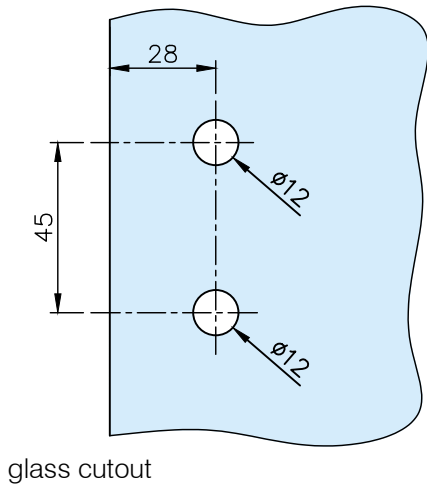
door frame



8 - 10 mm glass door



Art. 45.2241.000.20
 Art. 45.2241.000.26
 Art. 45.2241.000.46



Empfehlungsmaße entsprechend *DIN 18268

<i>Glastürhöhe</i> Glass door height	<i>Abstand Zargenfalz - BBL(A)</i> distance frame rebate - BBL(A)	<i>Abstand BBL(A) - BBL(B)</i> distance BBL(A) - BBL(B)
1860 mm - 2110 mm	241 +1 mm	1435 mm ±0,5 mm
2111 mm - 2235 mm	241 +1 mm	1560 mm ±0,5 mm
2236 mm - 2360 mm	241 +1 mm	1685 mm ±0,5 mm

Art. 45.2241.000.20
Art. 45.2241.000.26
Art. 45.2241.000.46

